



RoHS CE

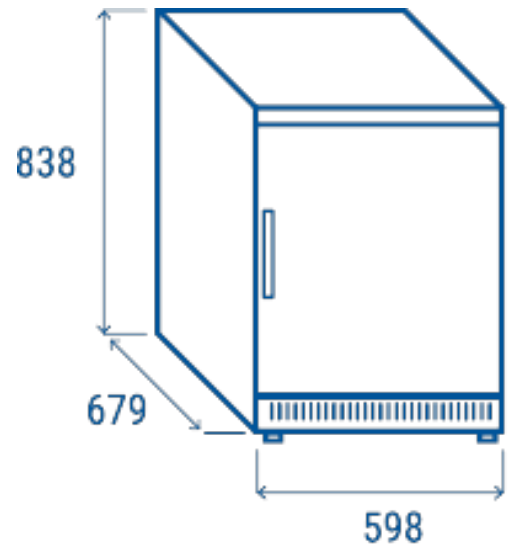


Data sheet

Depth	679 mm
Height	838 mm
Width	598 mm
Inner depth	443 mm
Inner height	652 mm
Inner width	477 mm
Noise level	40 dB(A)
KW/24h	0.37 Kw
Capacity	200 L
Consumption	56 W
Net Weight	43 Kg
Temperature	+0°C ~ +8°C

Technical features

- 200 Lt. Refrigerated upright (CLASS A++)
- S/S external cabinet, thermoformed internally
- Roll-bond evaporator system with fan assisted cooling
- Automatic compressor cycle defrost
- Foaming Agent Cyclopentane (70mm per side)
- Digital Thermostat
- Opening door alarm/Hi-Low temperatura alarm
- Removable Gasket
- Reversible door with stainless steel external handle
- Lock and main switch fitted as standard
- Adjustable shelves: 2 Pcs + 1 Pcs Bottom
- N.2 Adjustable feet + N.2 Rollers at the back





"Door opening and Hi/Low temperature alarm" as standard



External cylindrical handle in stainless steel (Steel color for X Version)



Inner assistance fan



Blue backlit main switch



Shelf with small distance between the line and bottom shelf fits as standard

